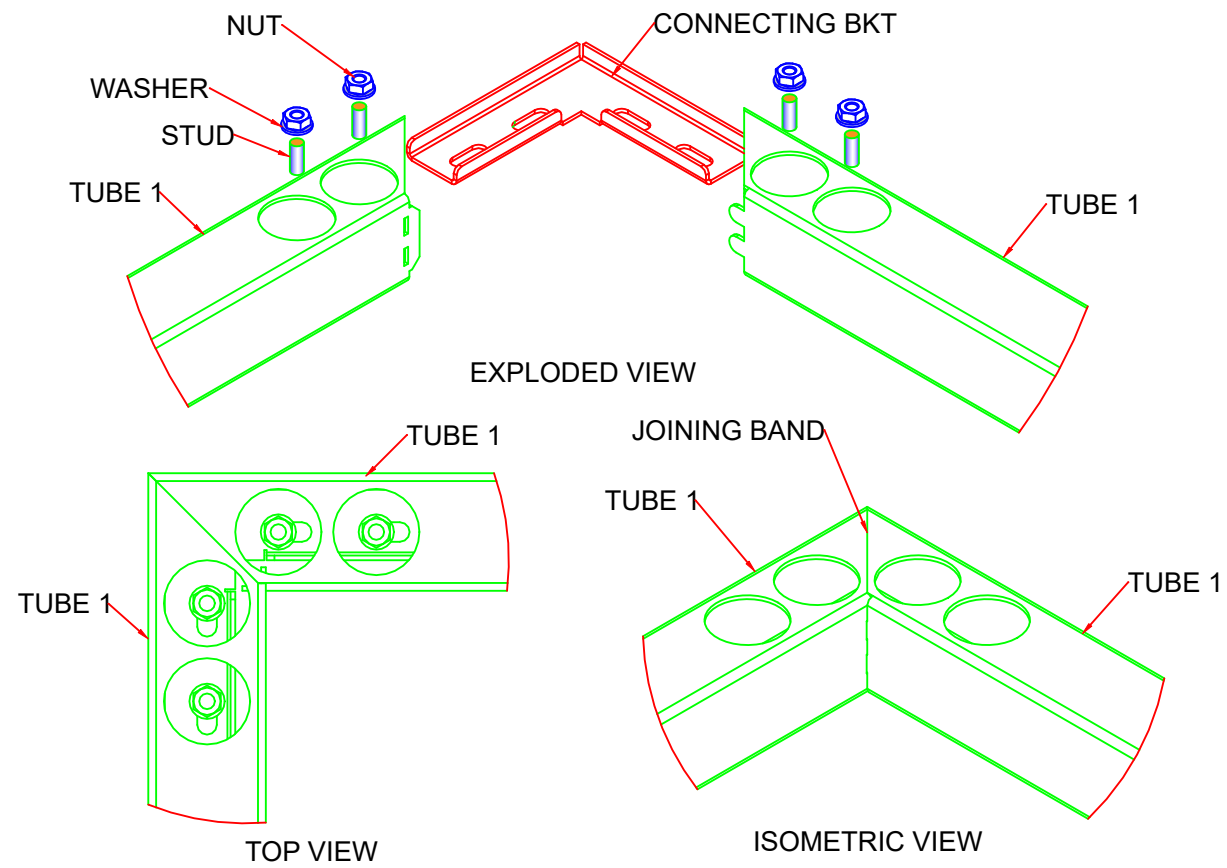
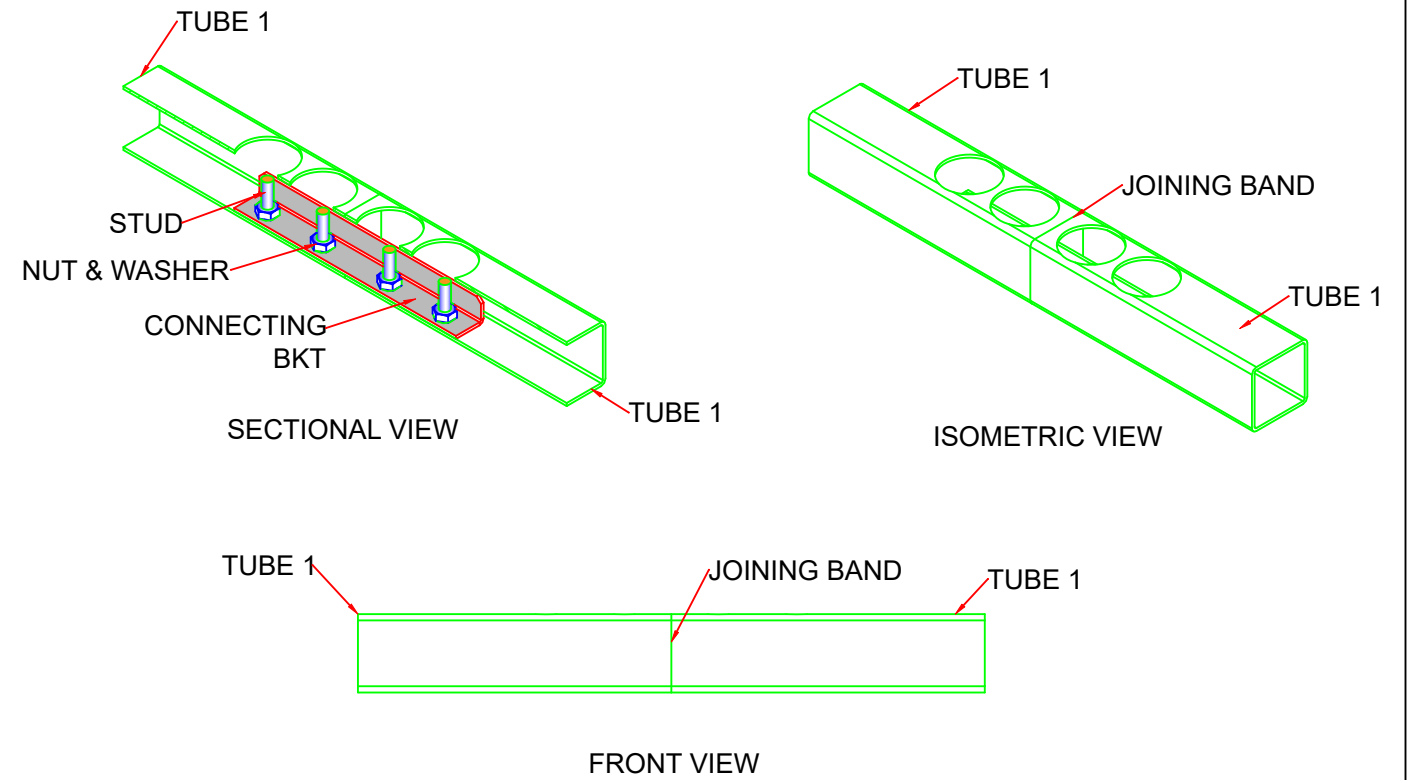


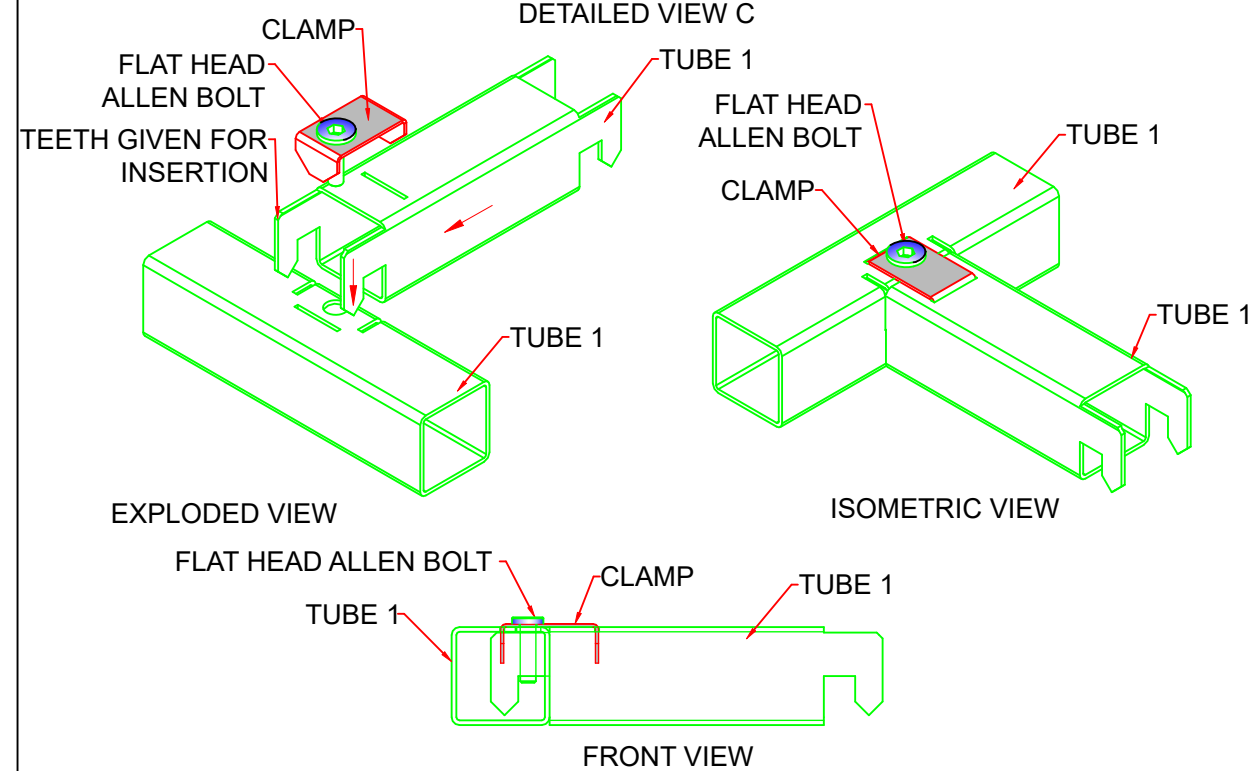
CORNER JOINT - 1 (CJ-1)
DETAILED VIEW A



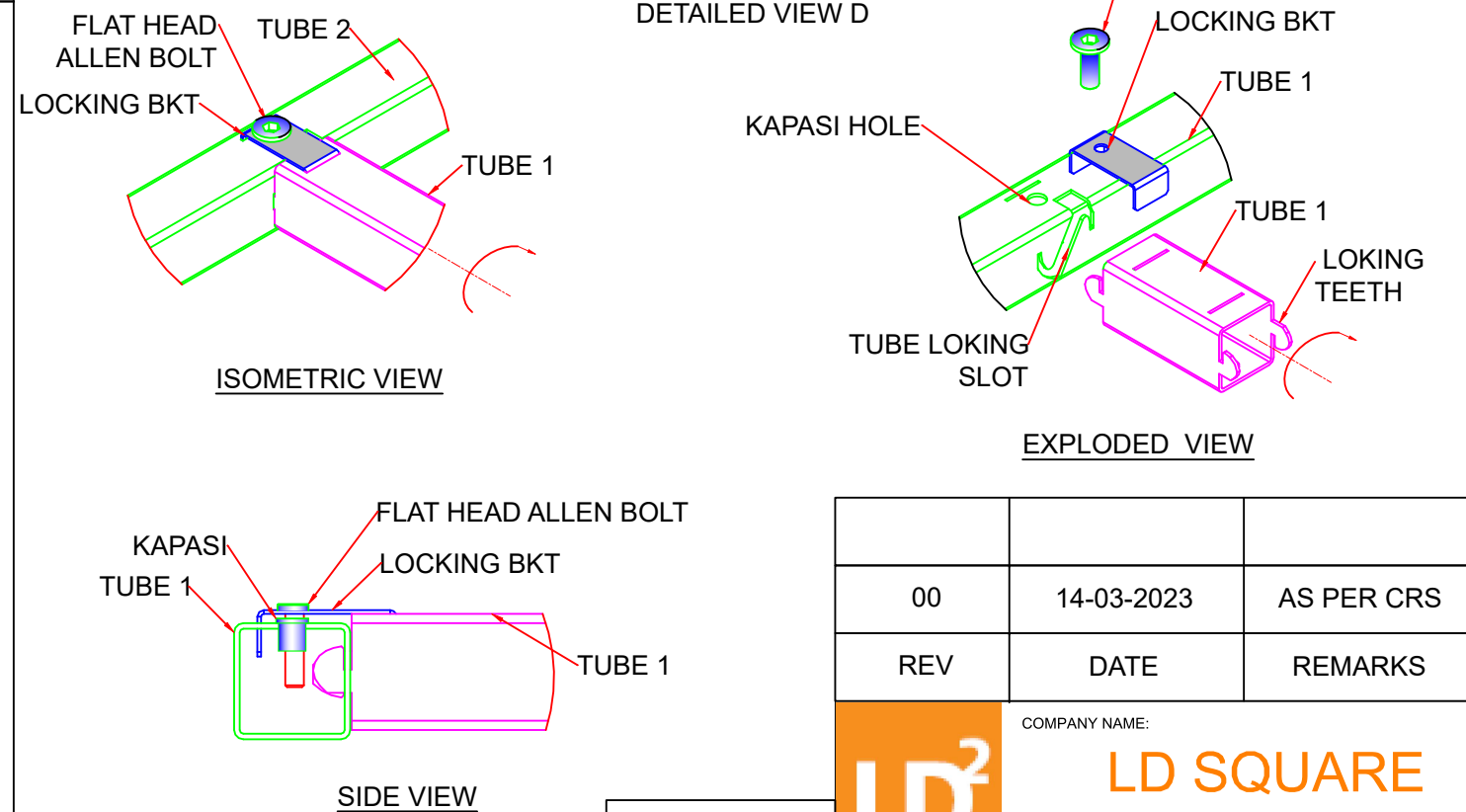
TUBE CONTINUATION JOINT - 1 (TCJ-1)
DETAILED VIEW B



INTERNAL JOINT - BOUNDARY JOINT (IJ-1)
DETAILED VIEW C

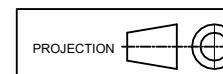


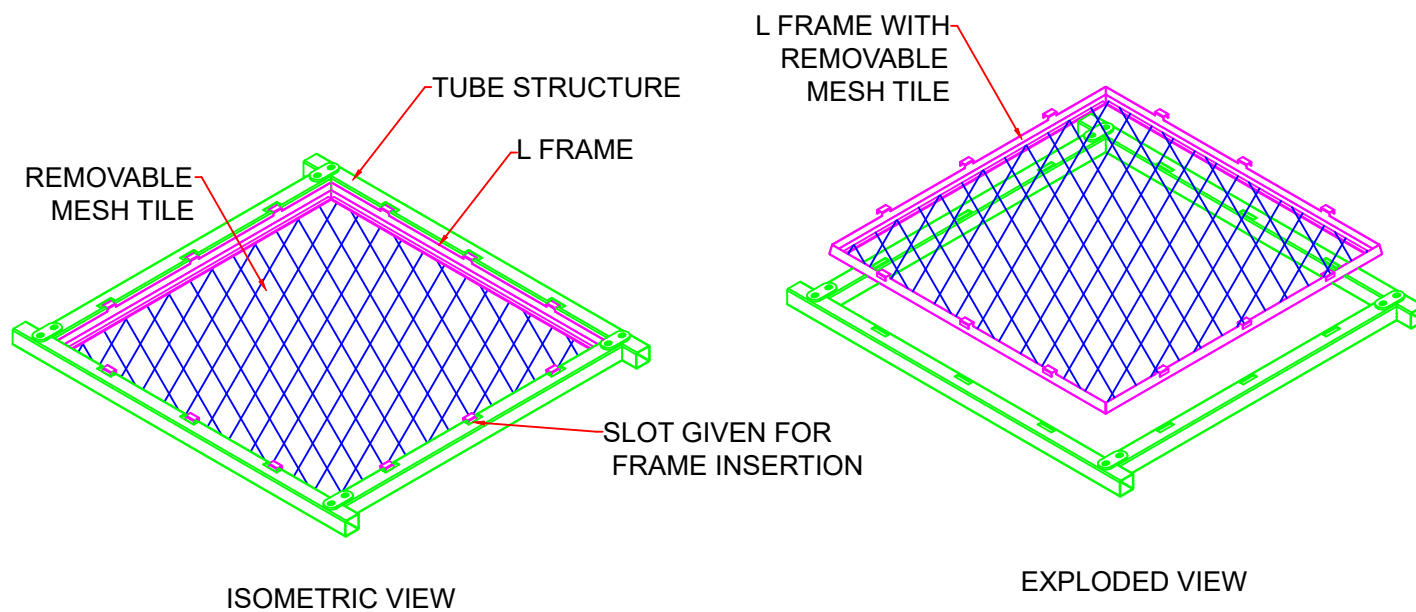
INTERNAL JOINT - TOP INSERTION (IJ-2)
DETAILED VIEW D



00	14-03-2023	AS PER CRS
REV	DATE	REMARKS

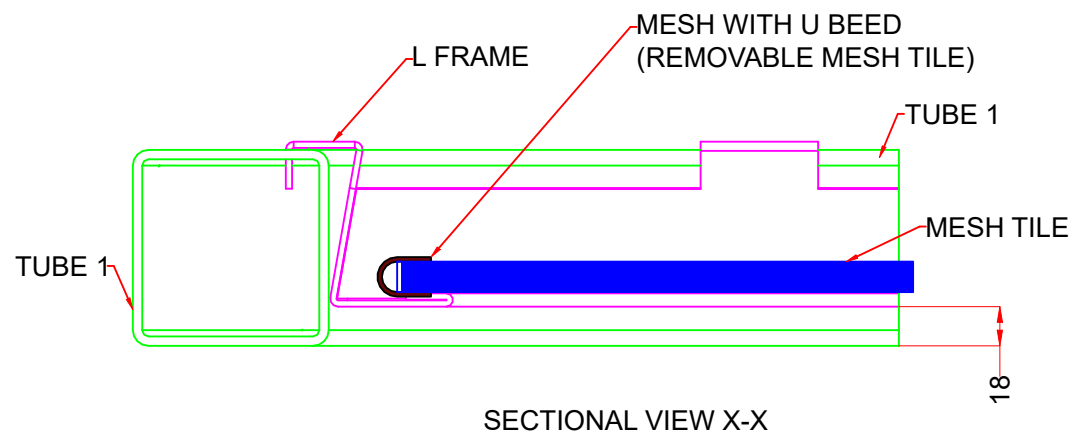
COMPANY NAME:
LD² LD SQUARE
 TECHNOLOGIES INDIA PVT. LTD.



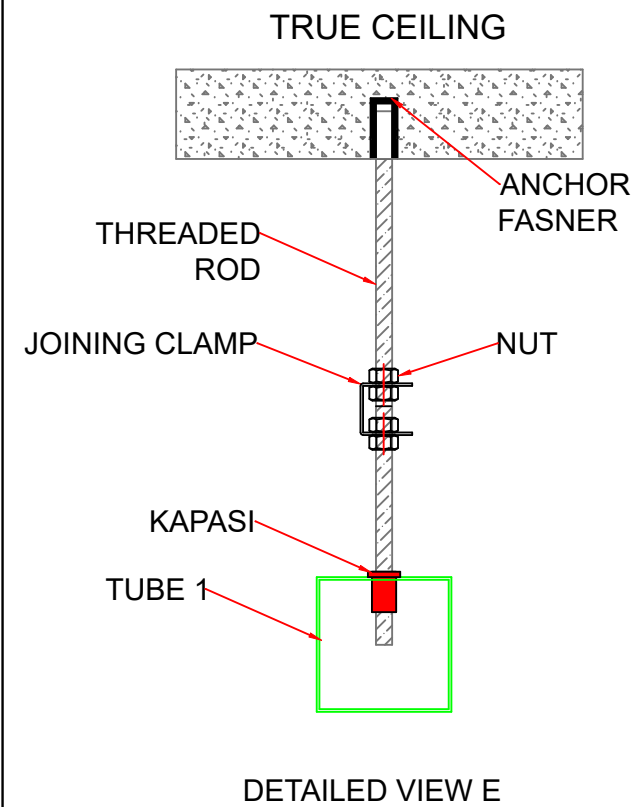


ISOMETRIC VIEW

EXPLODED VIEW

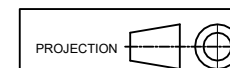


SECTIONAL VIEW X-X



DETAILED VIEW E

00	14-03-2023	AS PER CRS
REV	DATE	REMARKS

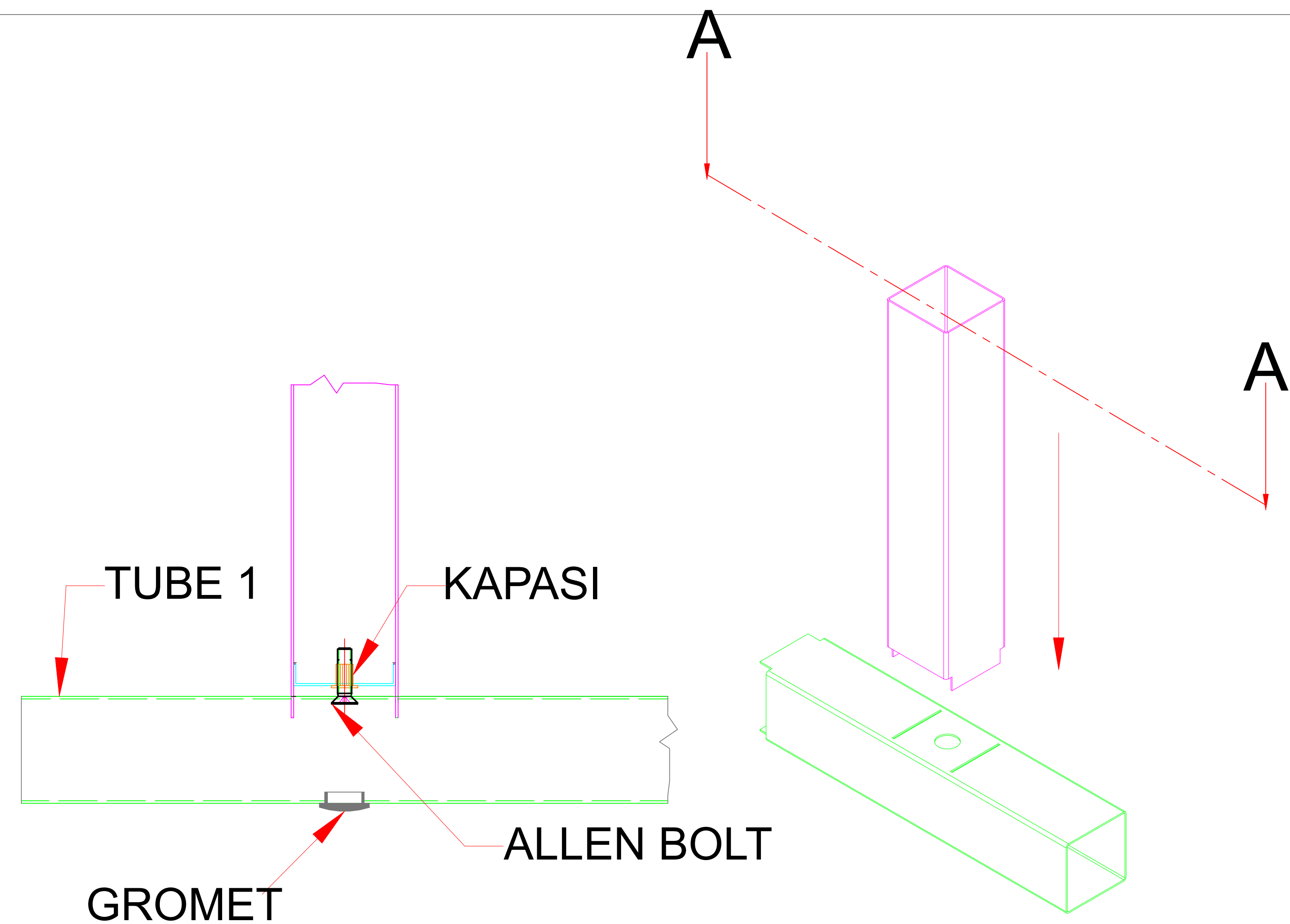


COMPANY NAME:

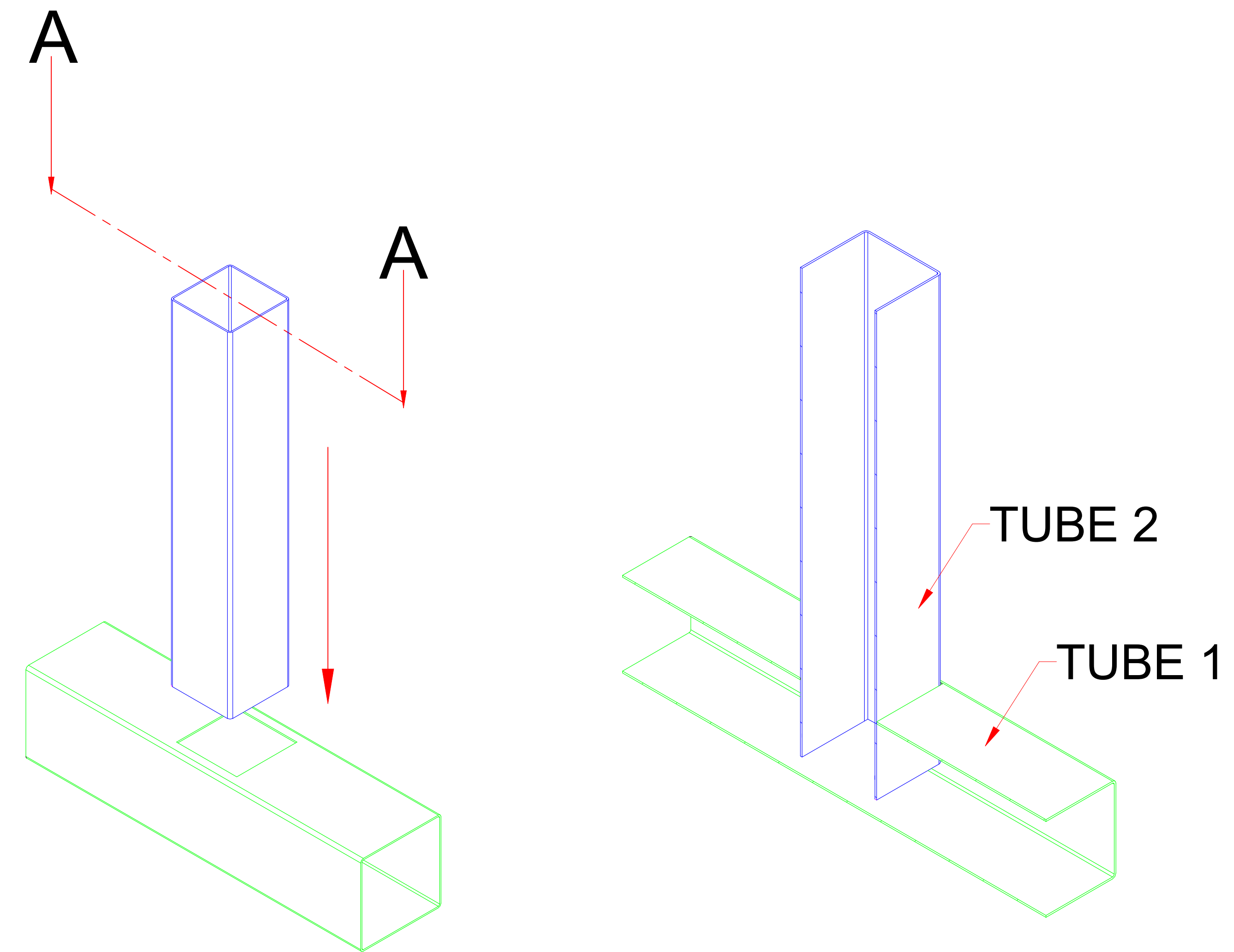
LD SQUARE
 TECHNOLOGIES INDIA PVT. LTD.

VERTICAL SCREEN INSTALLATION

DETAIL VIEWS

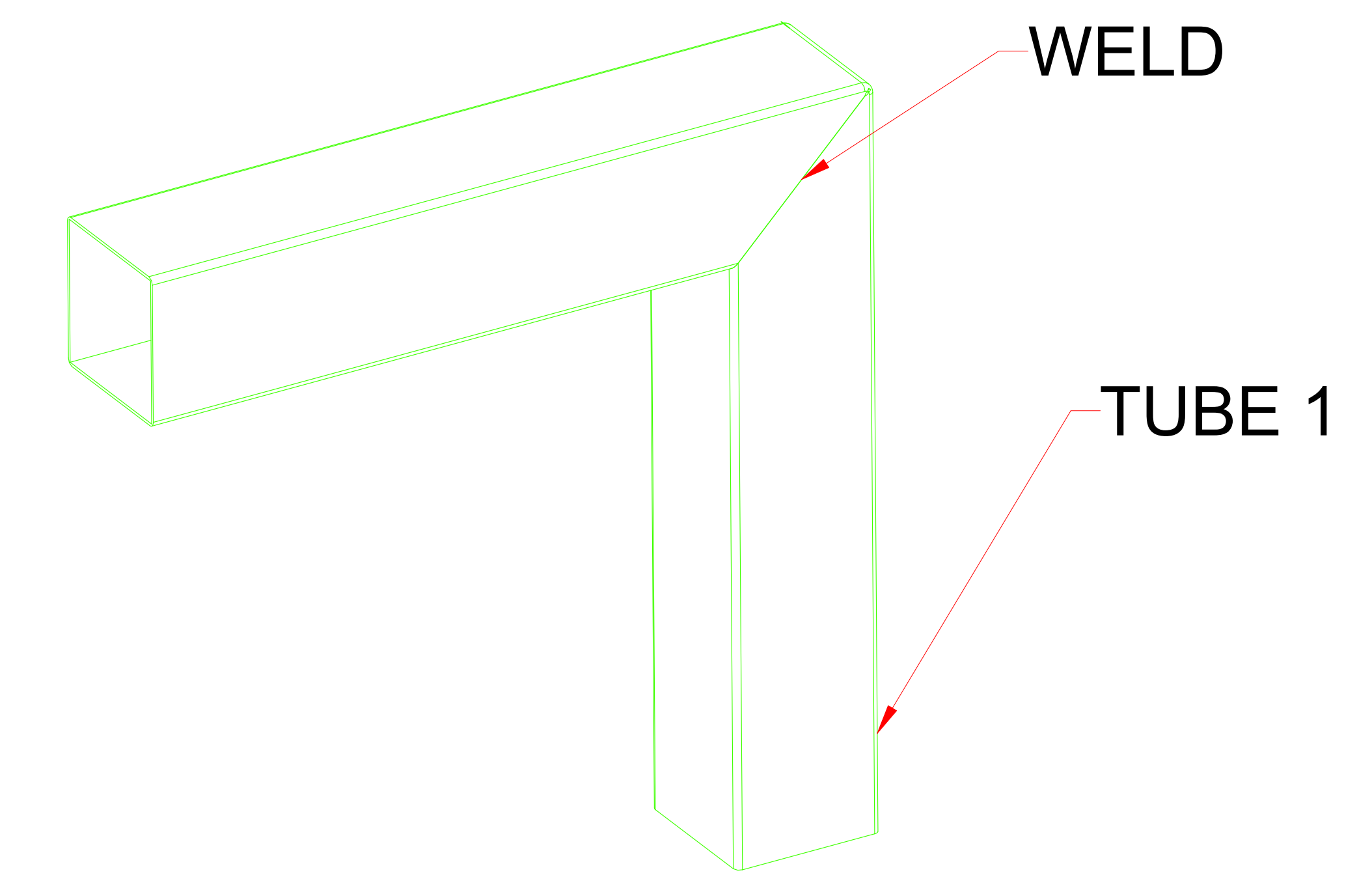


DETAIL "A"

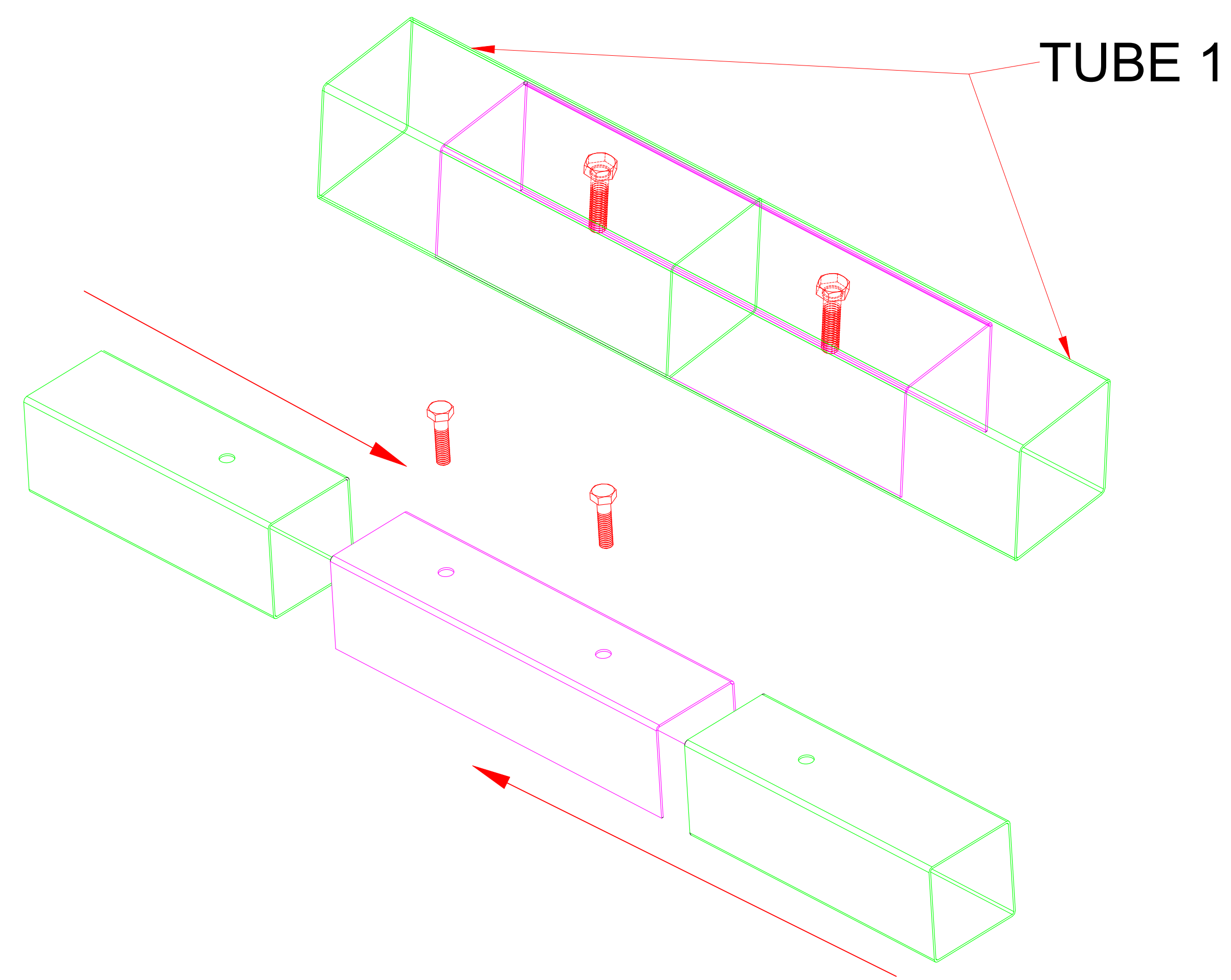


SECTION A-A

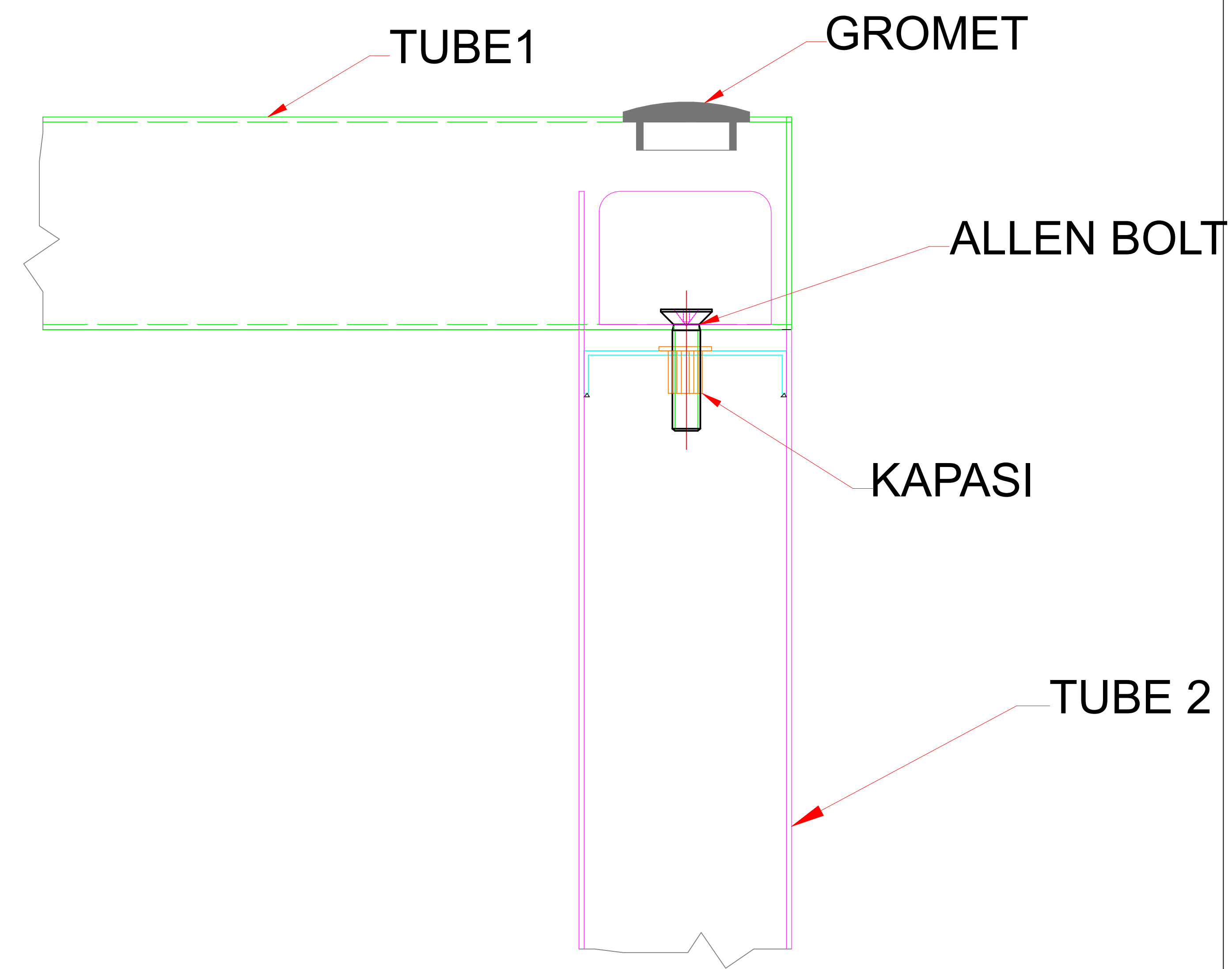
DETAIL "B"



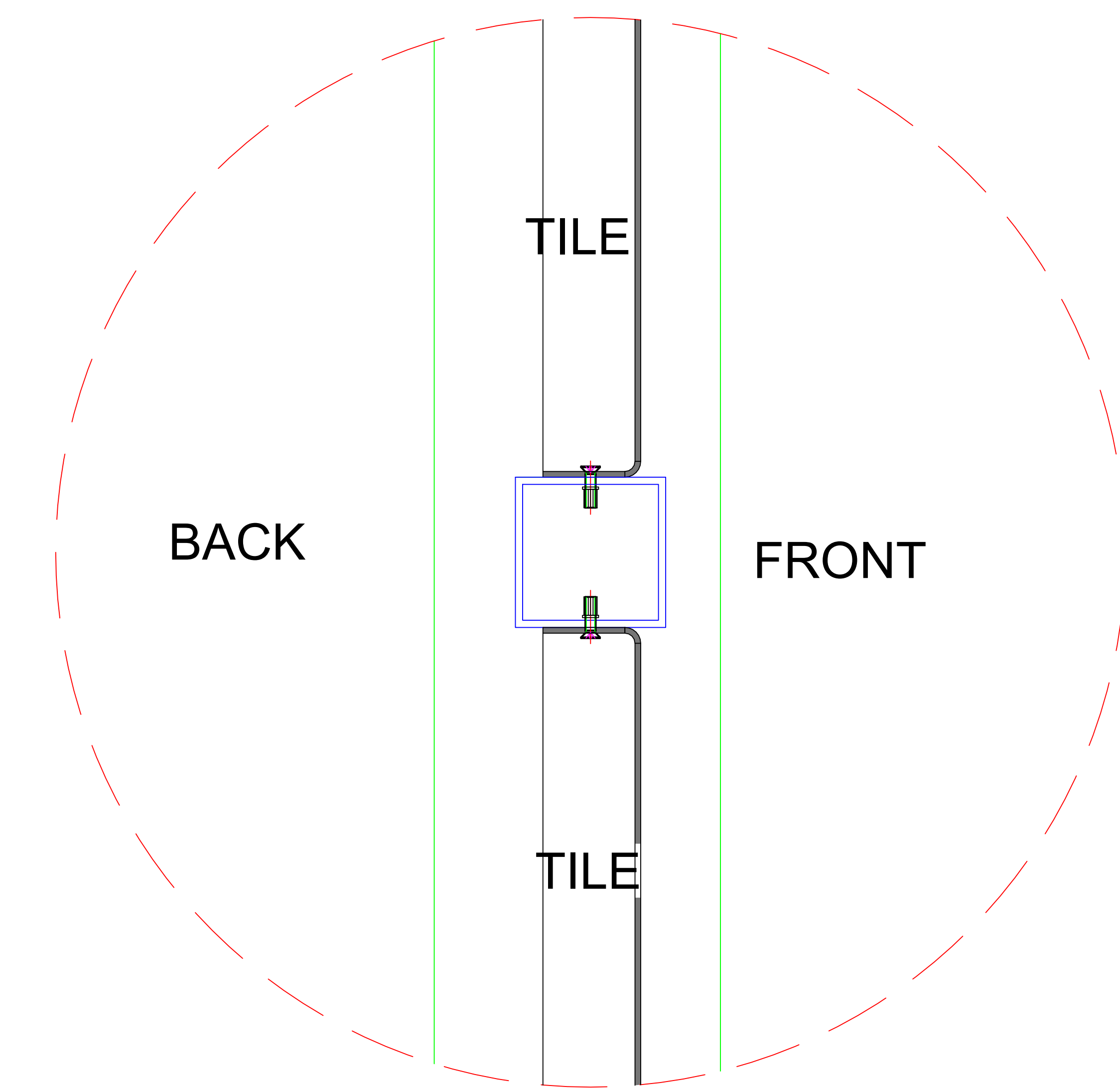
DETAIL "C"



DETAIL "D"



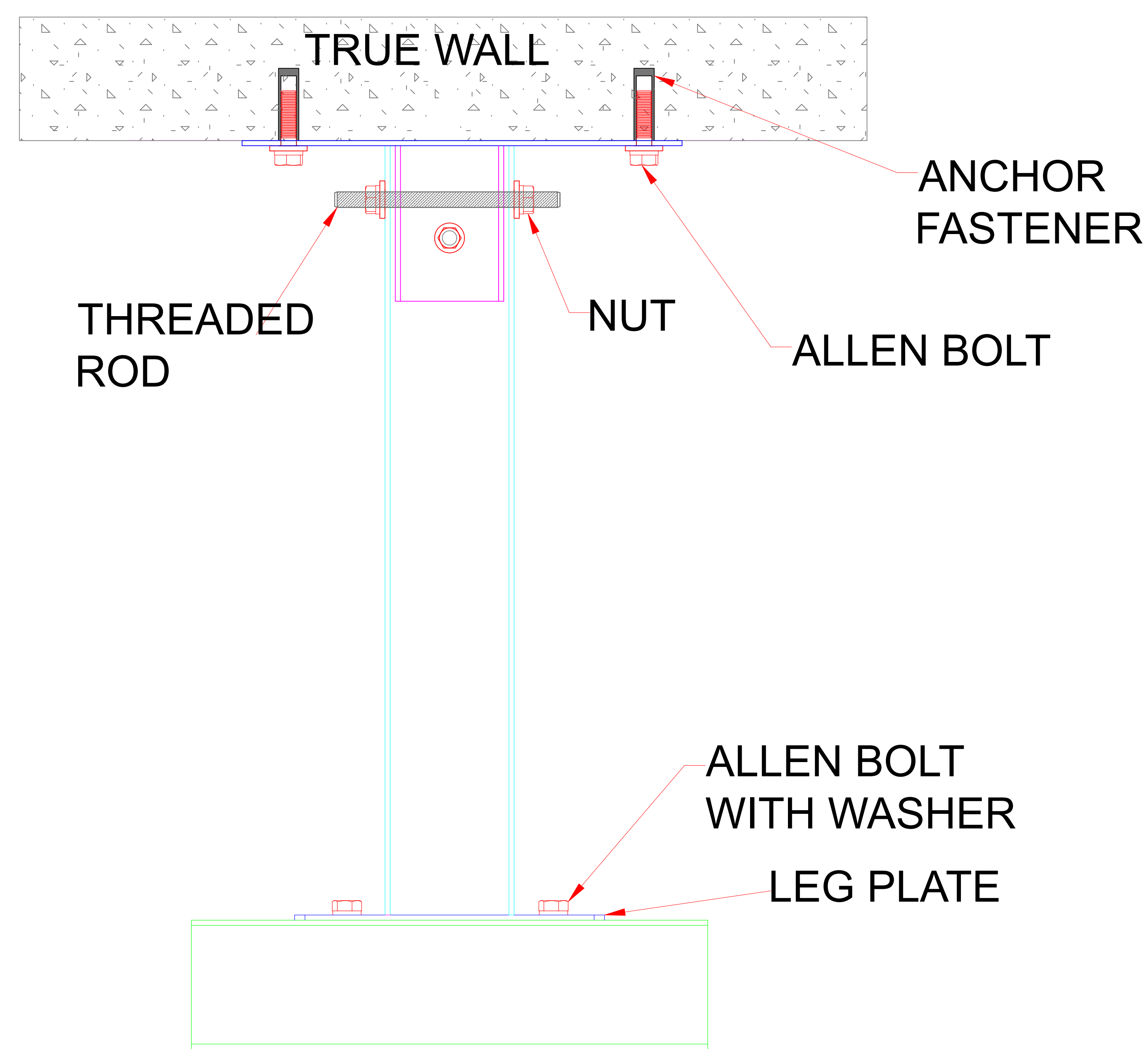
DETAIL E



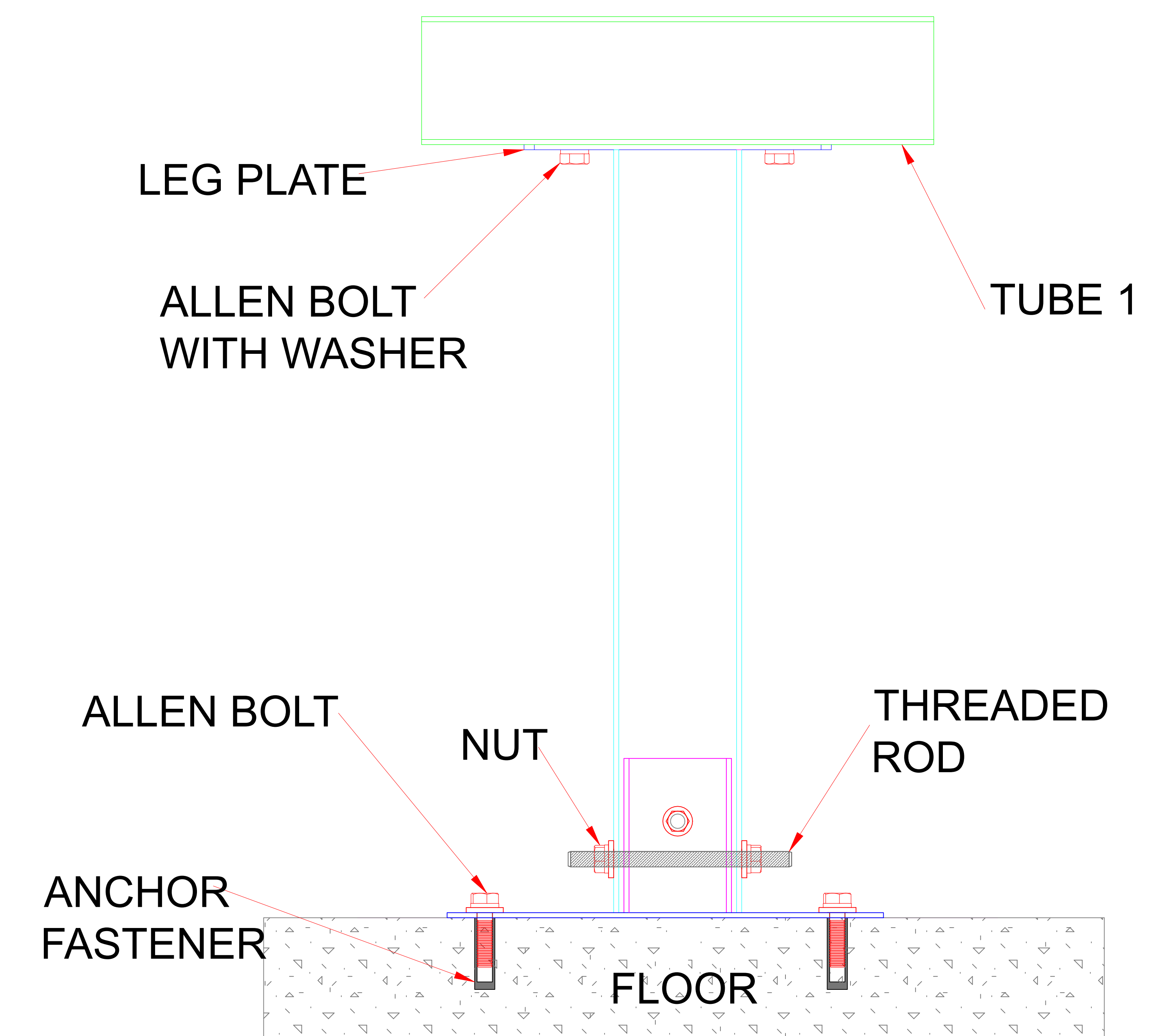
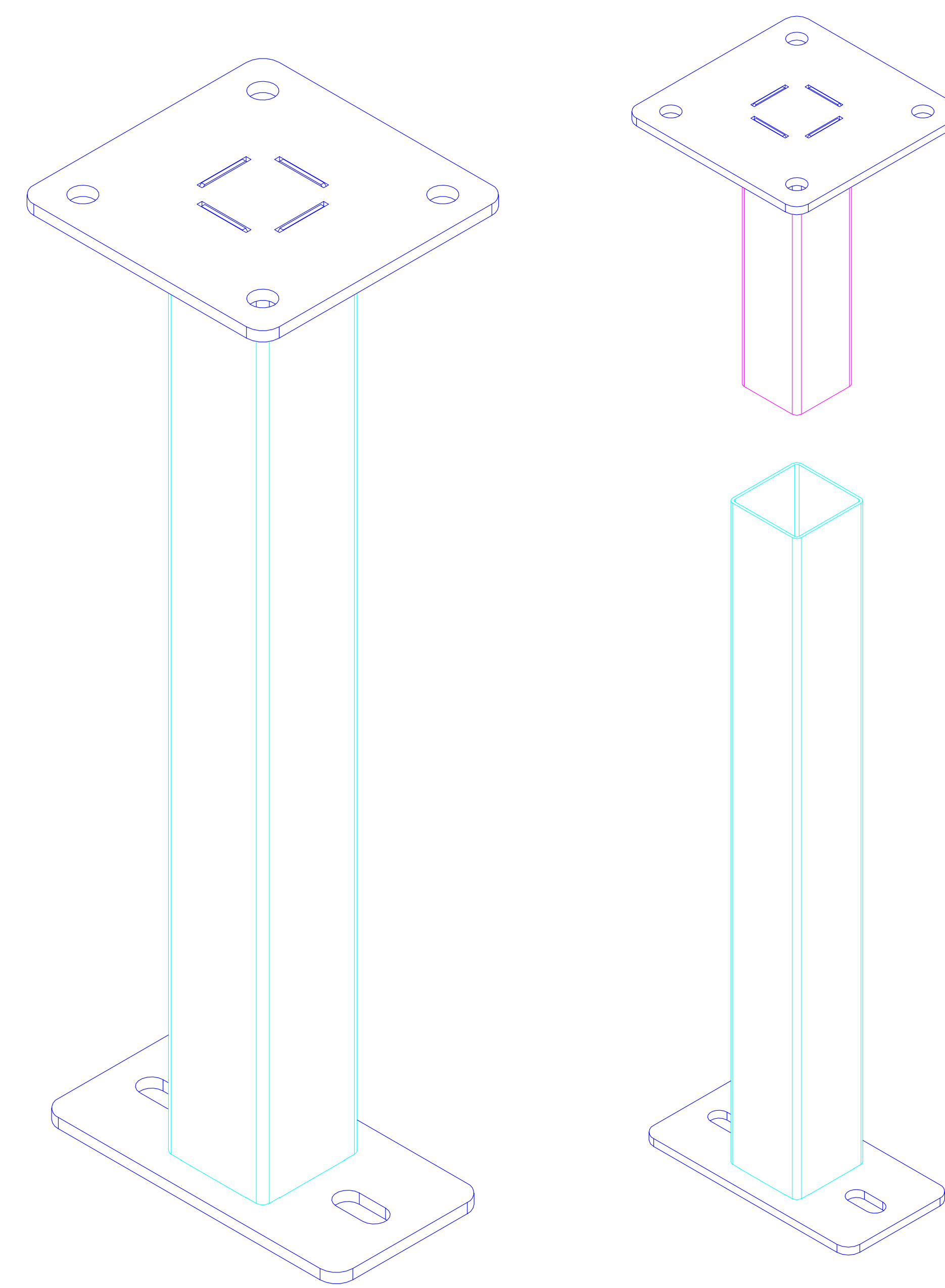
SECTION "A-A"

VERTICAL SCREEN INSTALLATION

SCREEN MOUNTING



WALL LEG ASSEMBLY



DETAIL "F"
BOTTOM LEG ASSEMBLY

REV 01	13-11-2021	BOTTOM FIXING REVISED
REV 00	12-10-2021	AS PER CRS
REV NO.	DATE	REMARKS
	TITLE:	SHEET:
	METAL SCREEN	3 OF 3