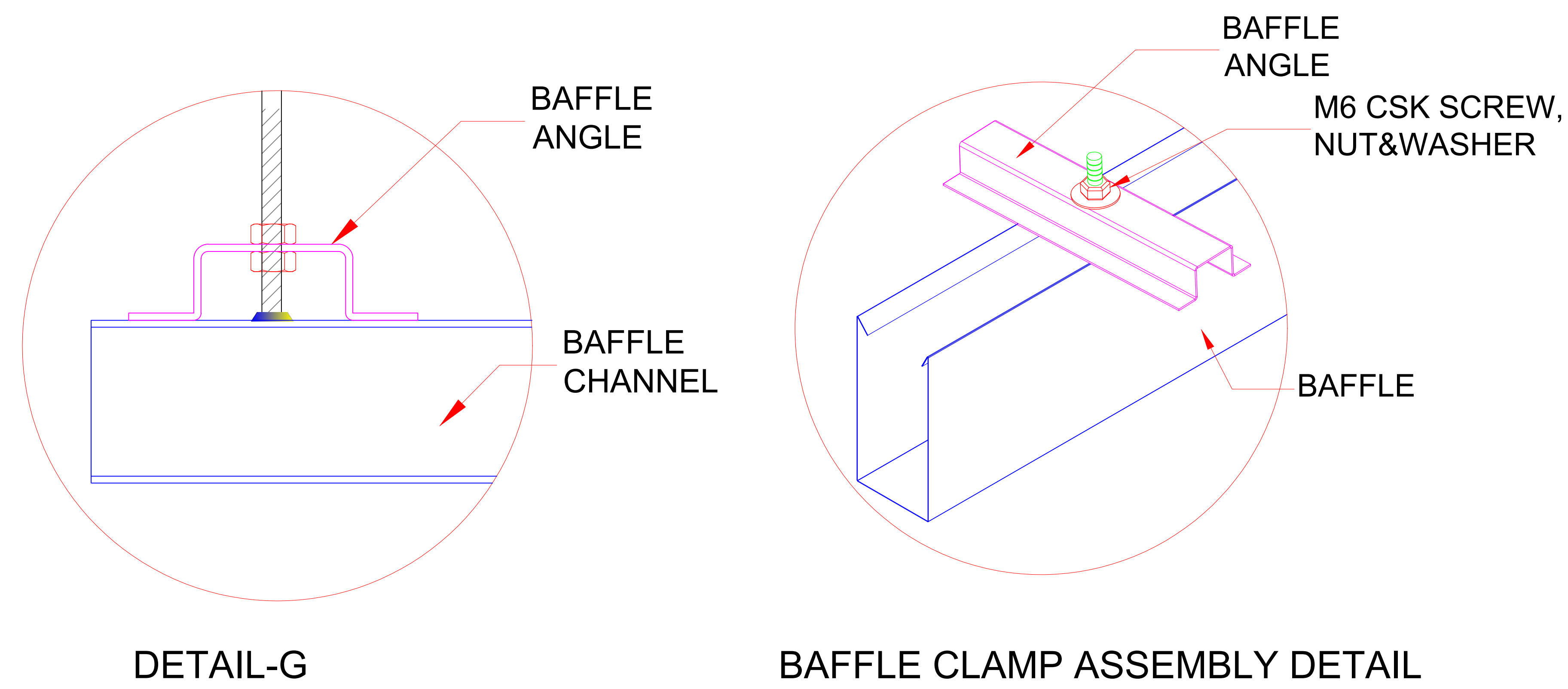
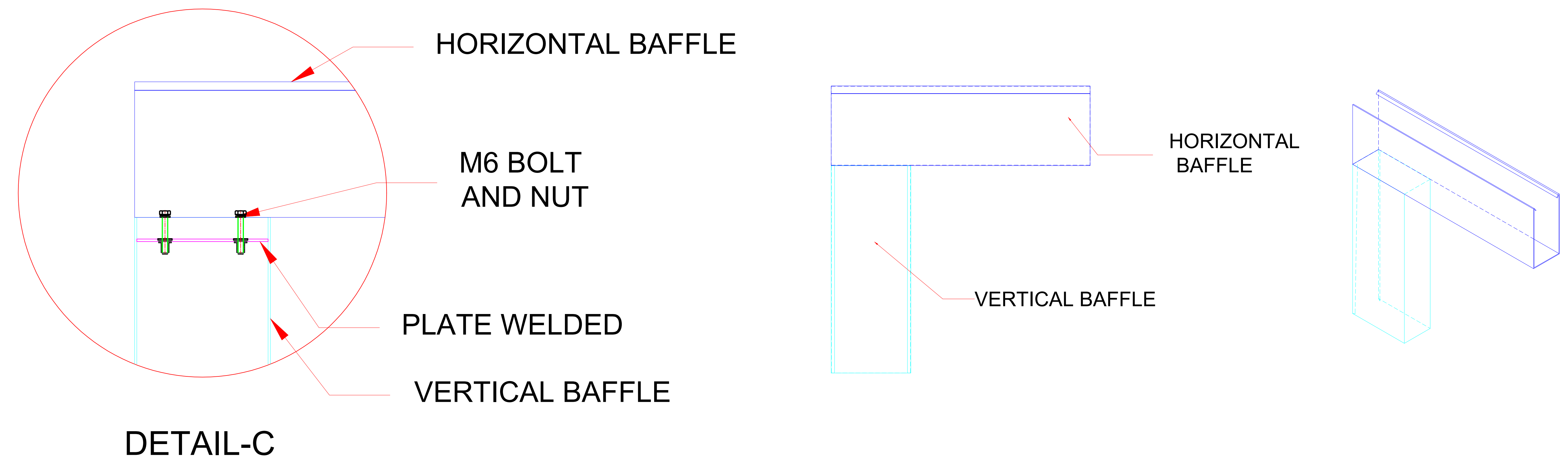


H+V INSTALLATION DESIGN

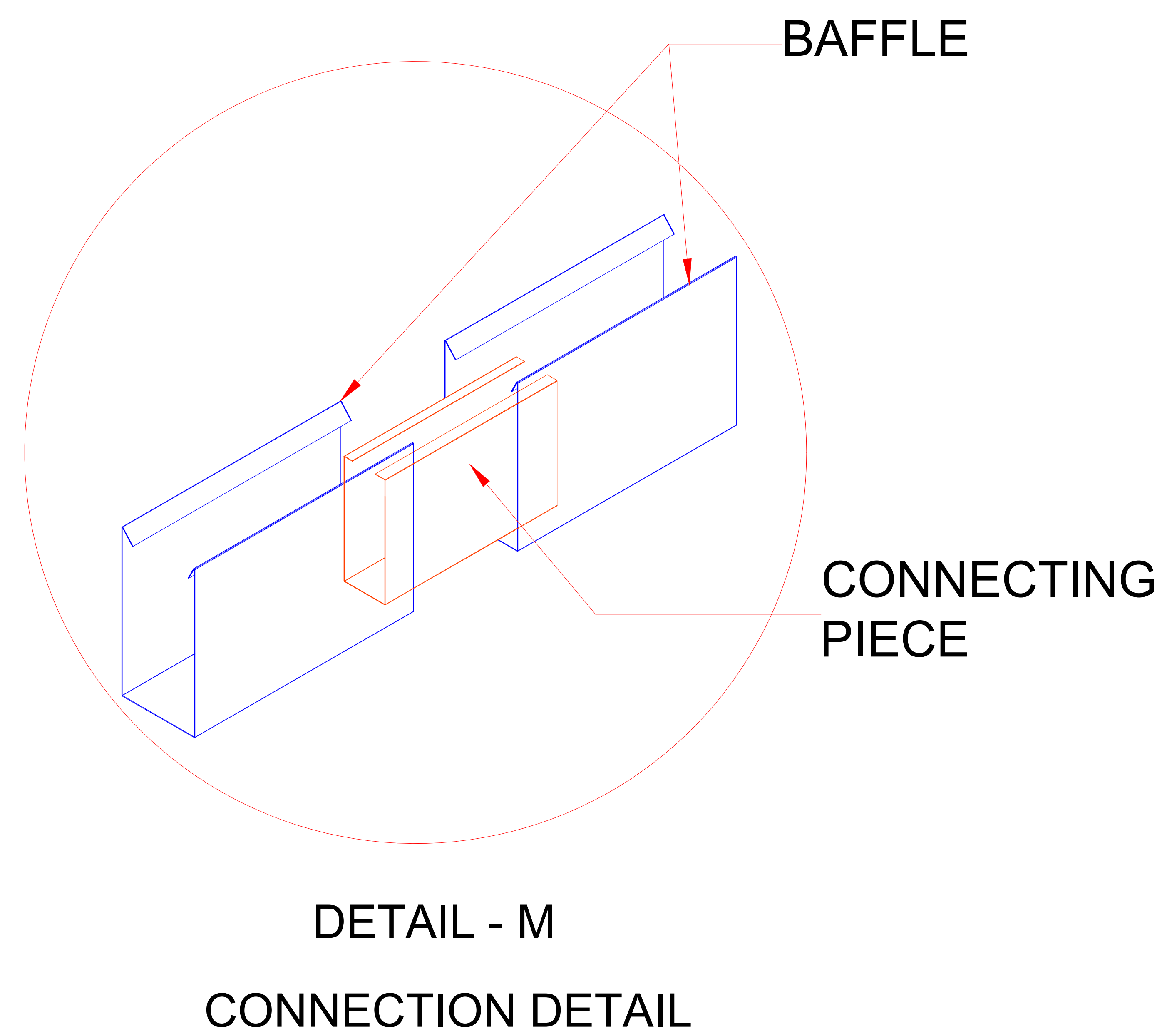
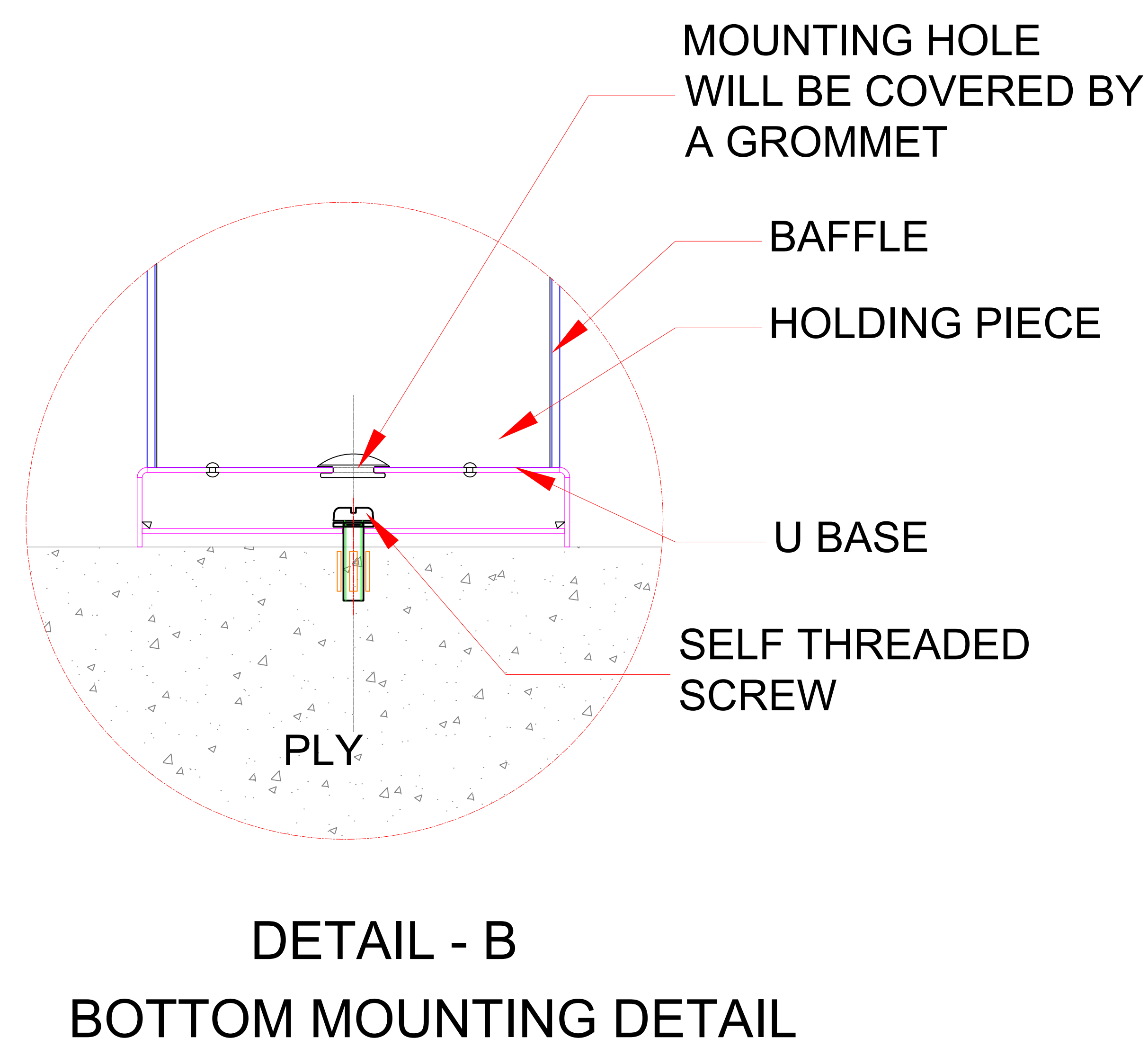
ACCESSORIES DETAIL :



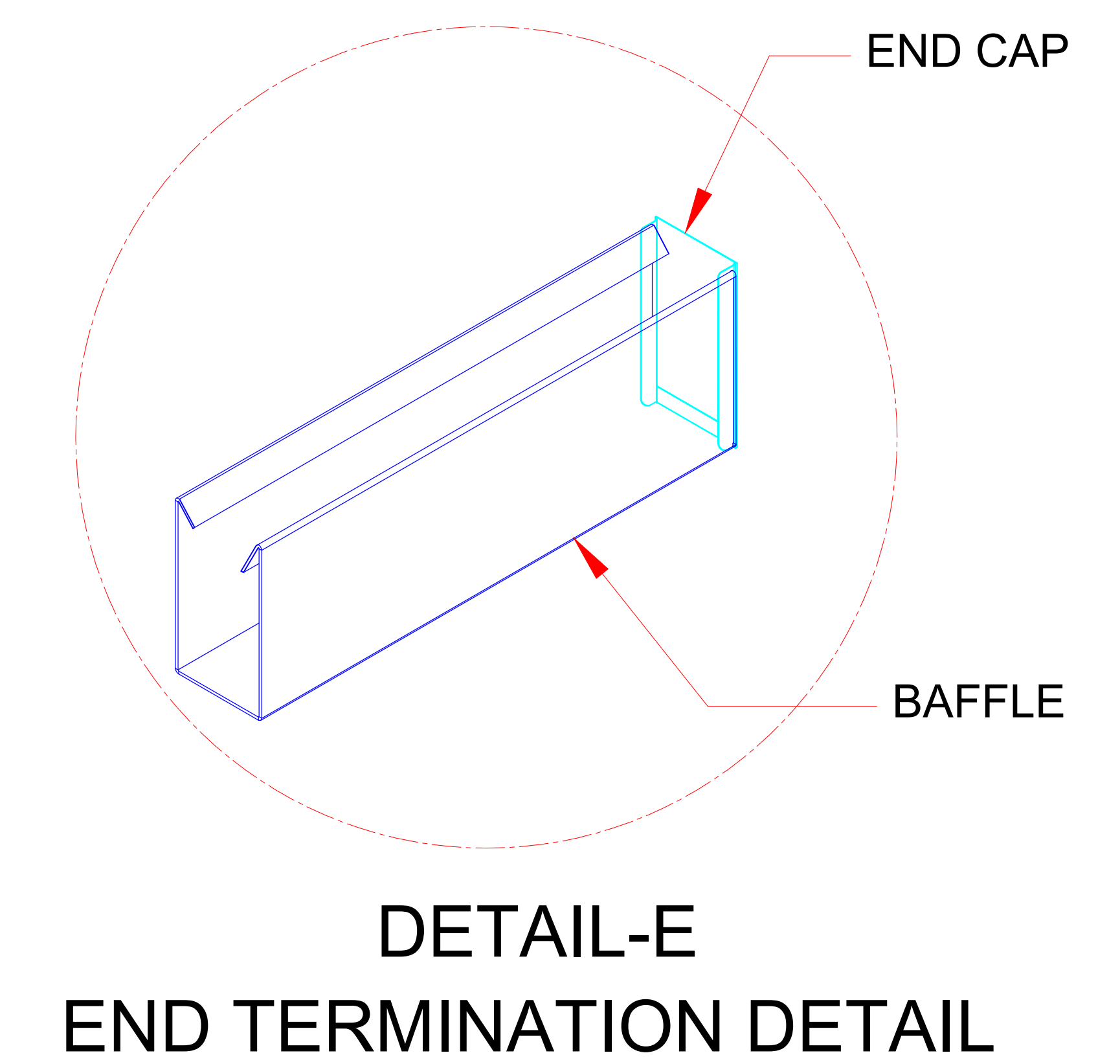
H+V CONNECTION DETAIL



VERTICAL BAFFLE DETAILS

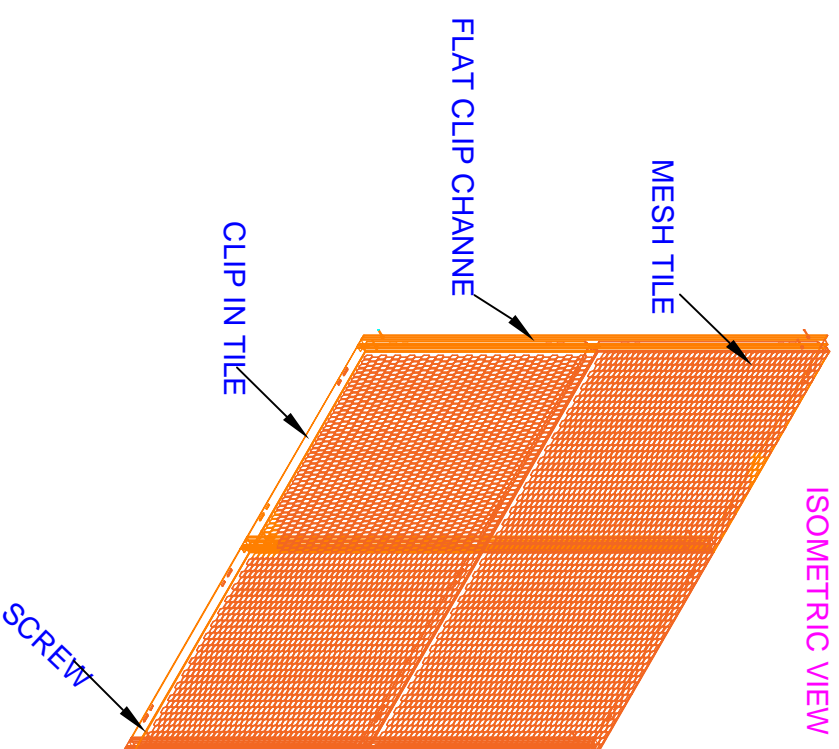
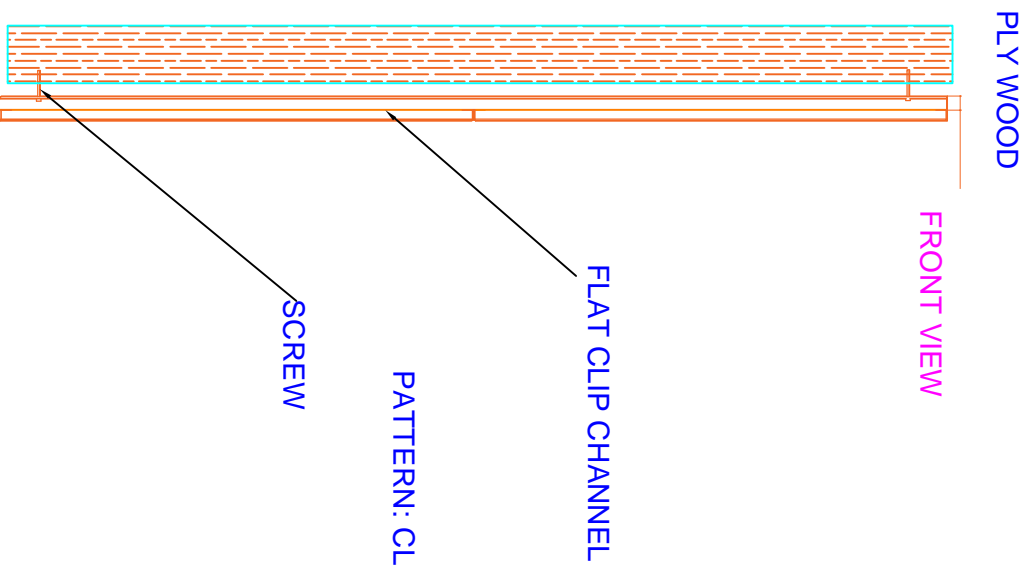


TERMINATION




00	18-05-2023	AS PER RCP LAYOUT
REV NO.	DATE :	REMARKS
	TITLE:	SHEET:
	H+V BAFFLE	2 OF 2

(MESH CLIPIN TILE WALL INSTALLATION)



PATTERN: CLIP IN TILE

NOTE: CHANGE THE TILE AS PER CLIENT REQUIREMENTS

DESCRIPTION	NAME	COMPANY NAME:	
MATERIAL: GL	RESION: KINI	 LD Square Technologies India Pvt. Ltd.	PROJECTION
COLOR: AS PER CUSTOMER REQUIREMENT	FINISH: AS PER CUSTOMER REQUIREMENT		NO. OF SHEET:
FINISH: AS PER CUSTOMER REQUIREMENT	APPROVAL: KINI	NO. OF SHEET:	1
MATERIAL THICKNESS: 0.4	WFG: 0.4	PROJECTION	NO. OF SHEET:
PART NO:	ALL DIMENSION ARE IN MM	SCALE:	REVISION

VERTICAL BAFFLE INSTALLATION WITH U-BASE

