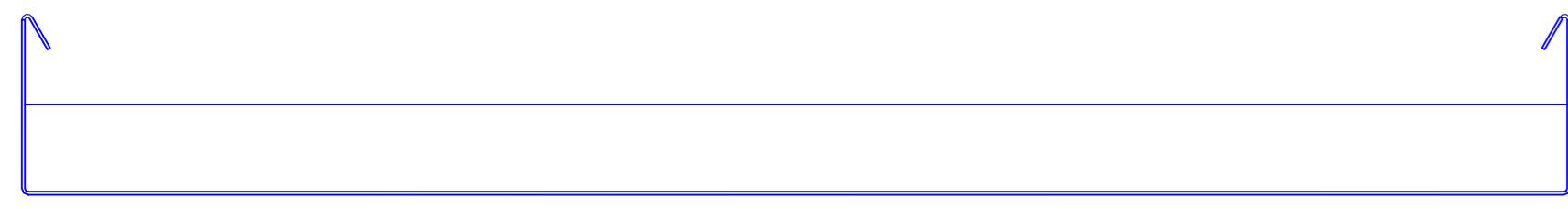


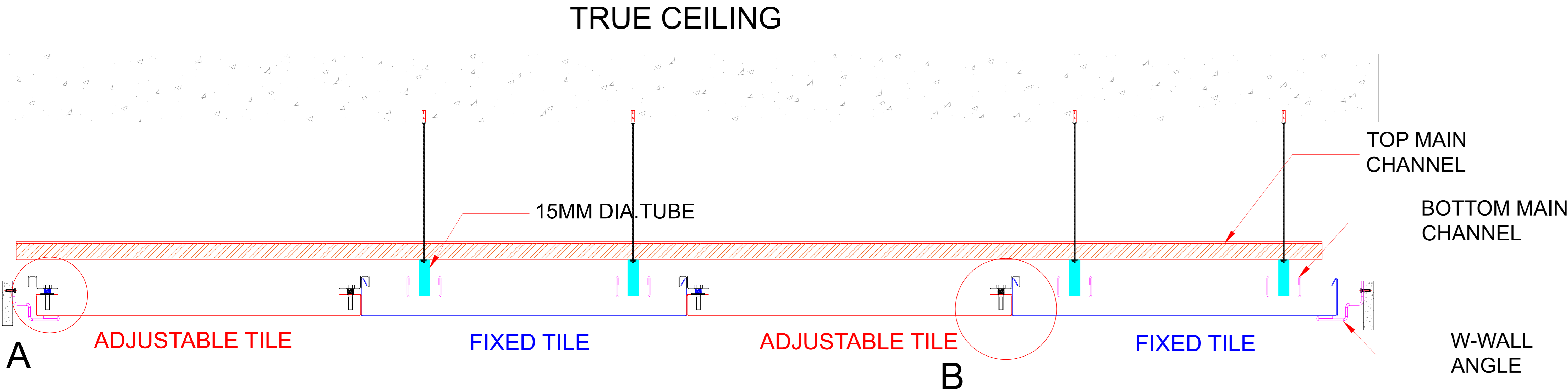
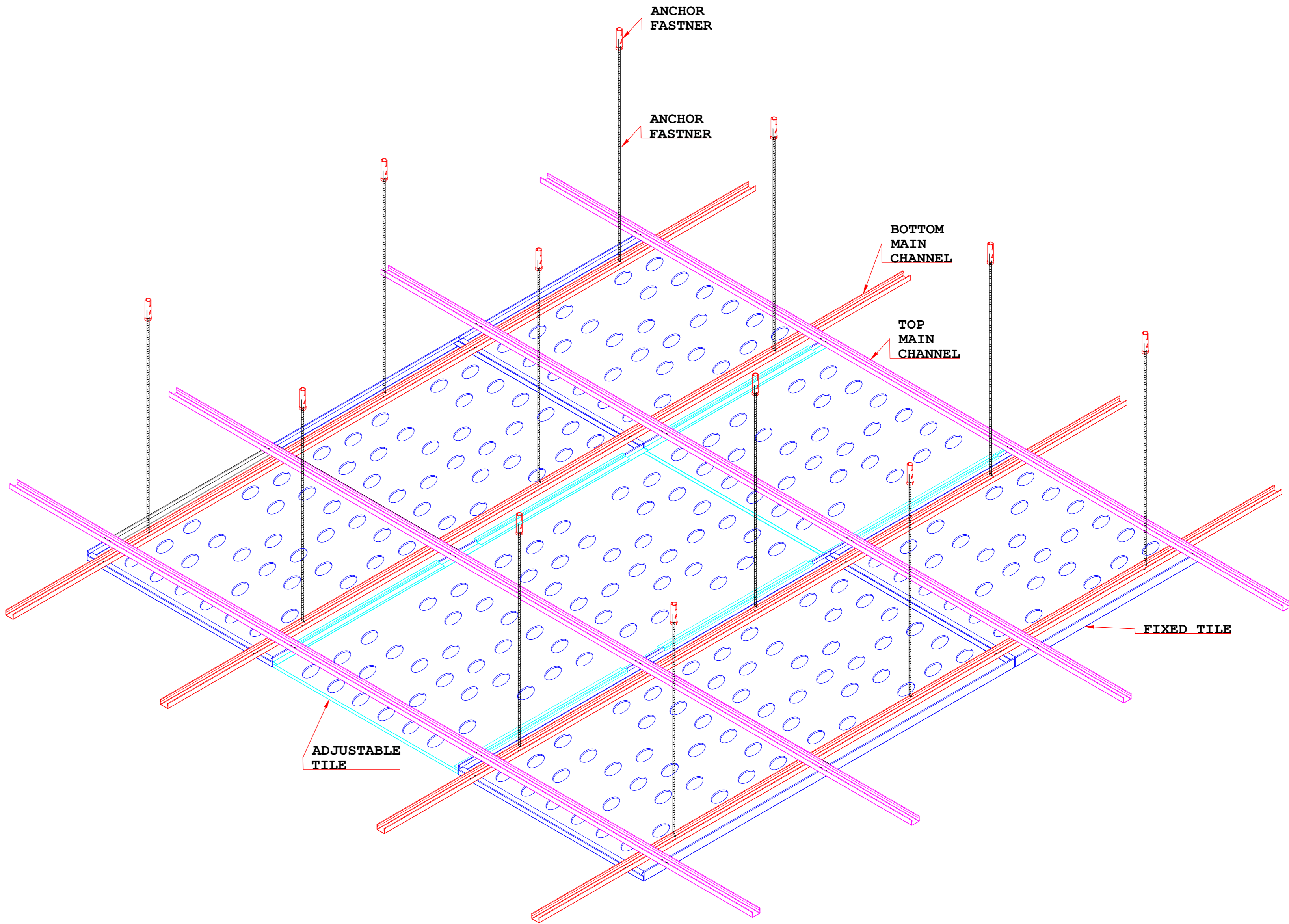
CLIPIN TILE INSTALLATION



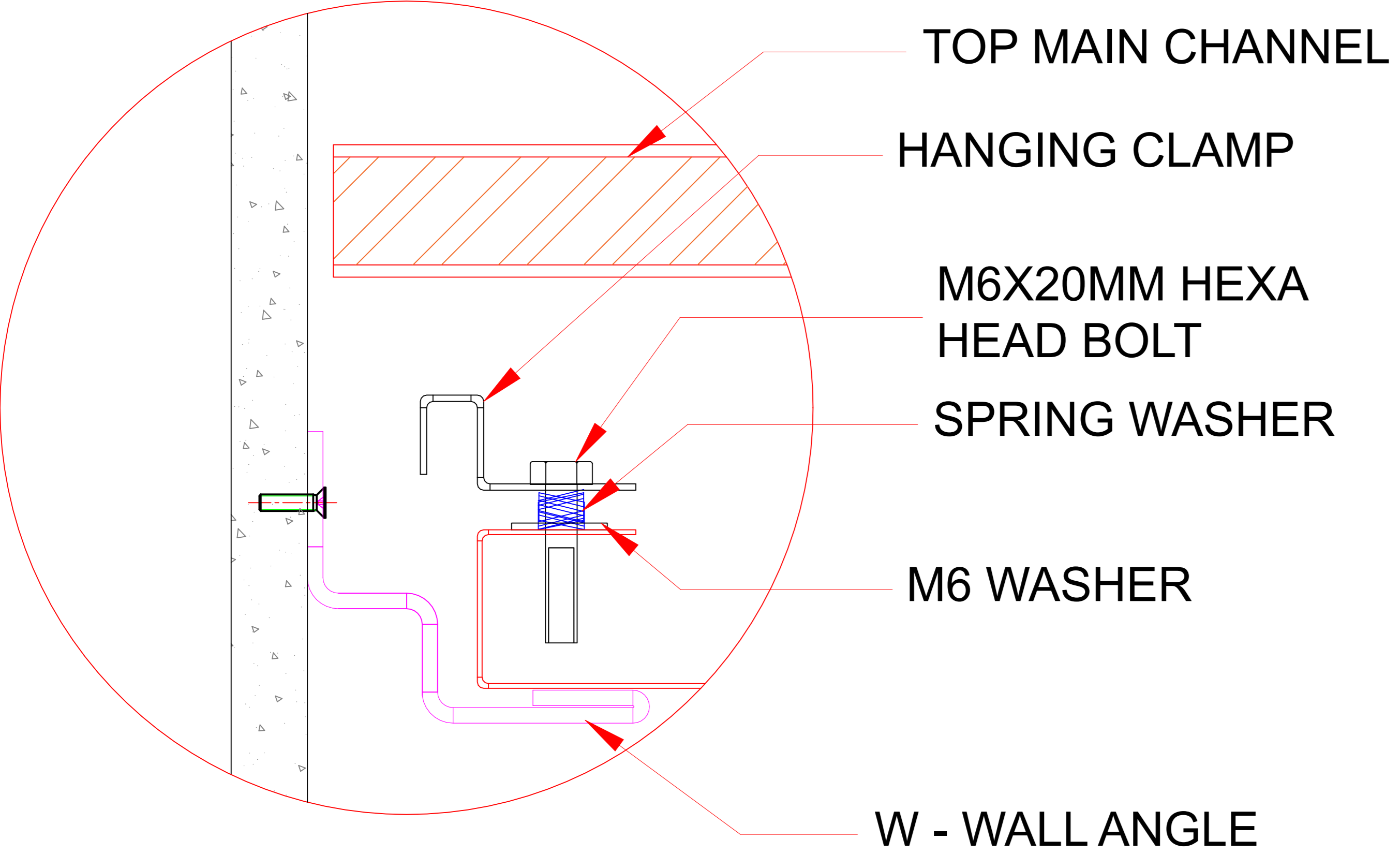
FIXED TILE



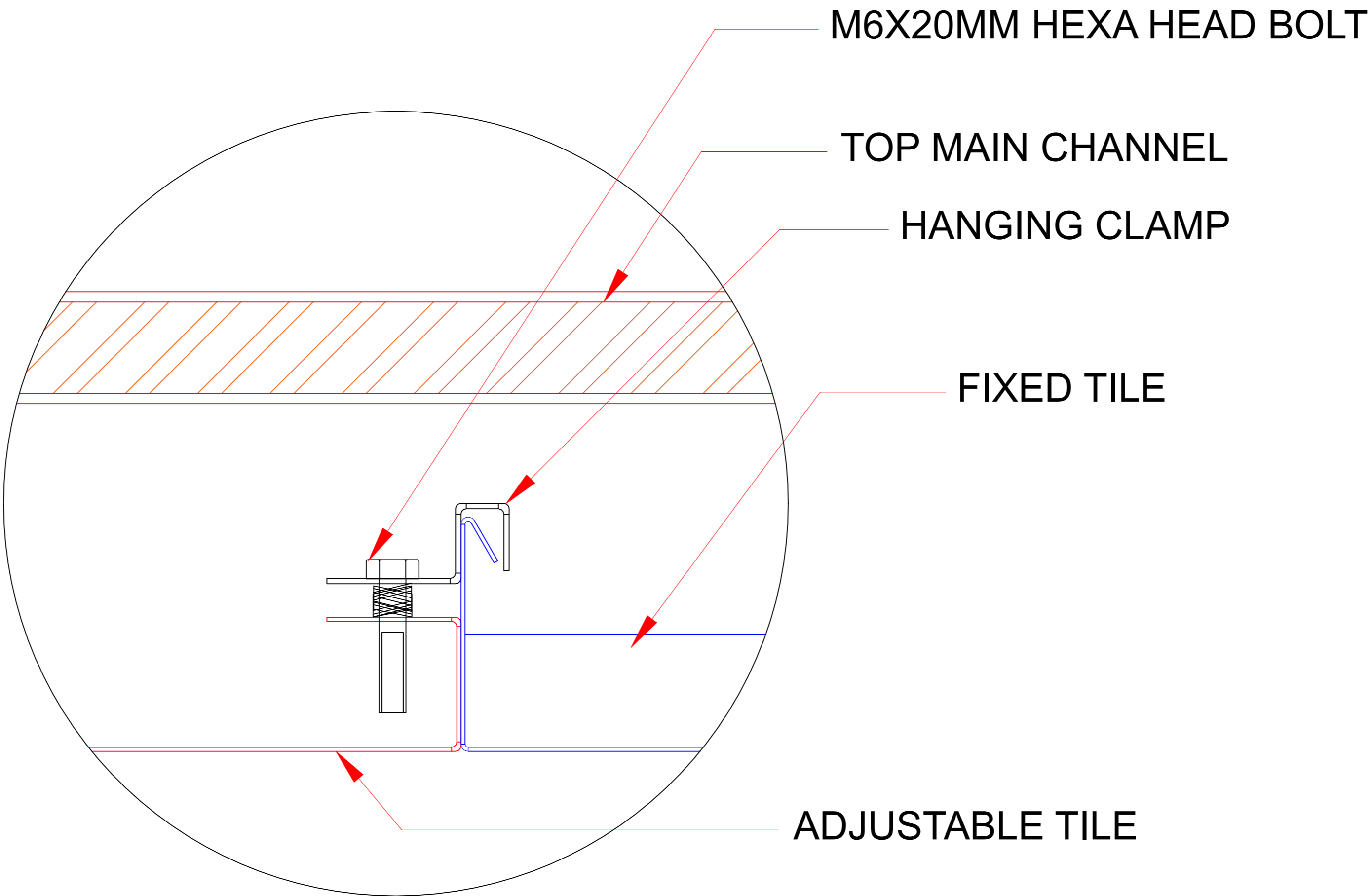
ADJUSTABLE TILE



SECTION VIEW



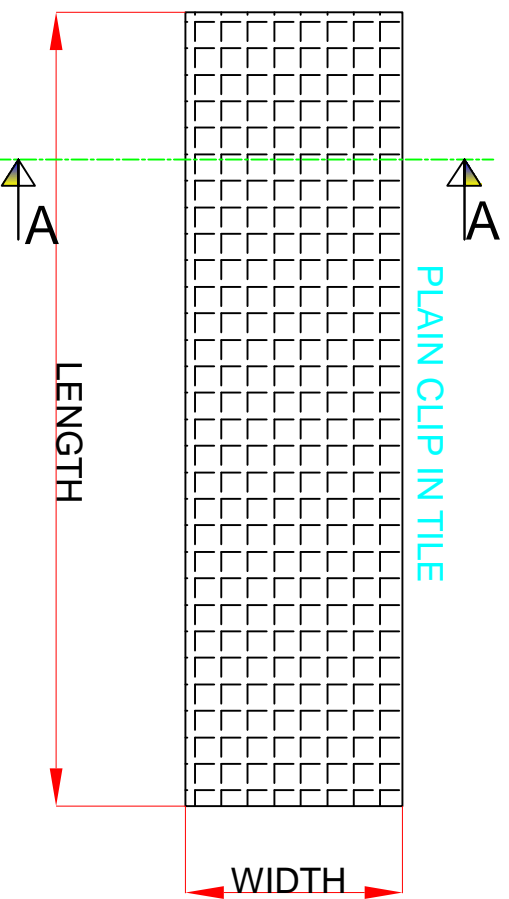
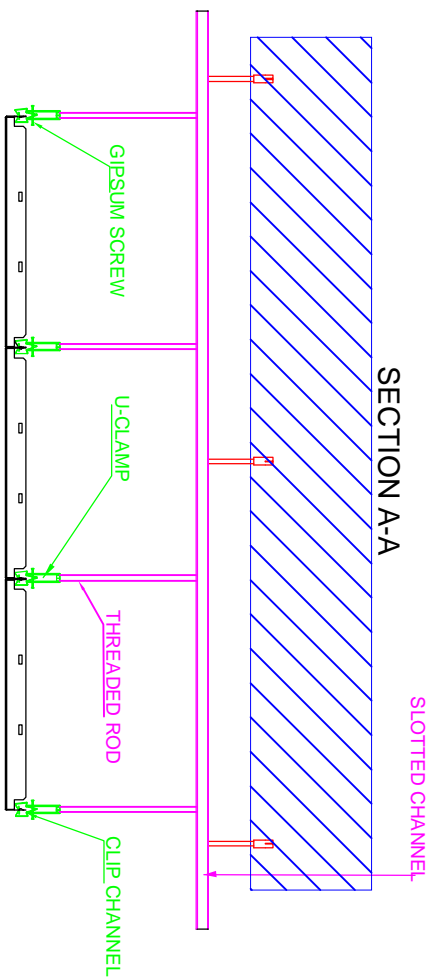
DETAIL VIEW A



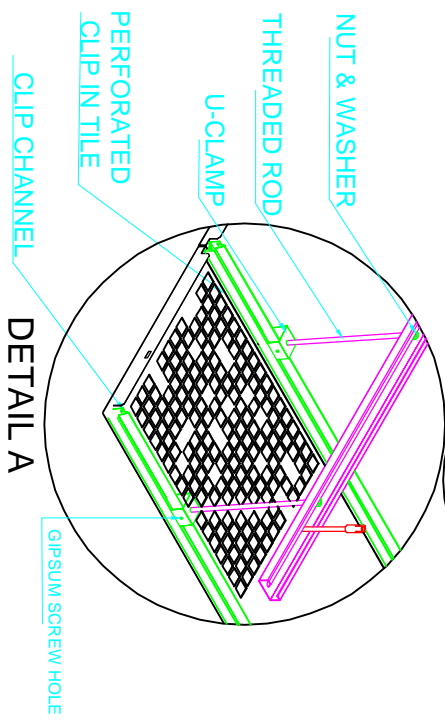
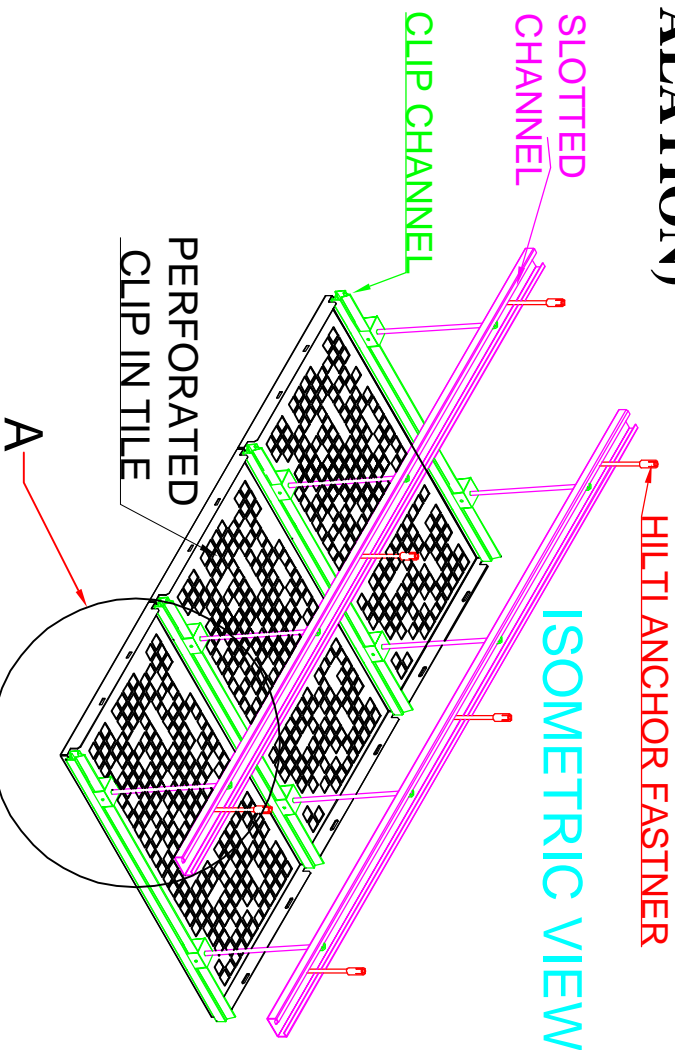
DETAIL VIEW B

(CLIP IN TILE PERFORATED INSTALLATION)

TRUE CEILING



ISOMETRIC VIEW



DESIGN	KNN	COMPANY NAME:	
DRAWN	AMIT	PROJECTION	
CHK'D	ERN	TITLE:	
APPV/D	KNN	CLIP IN TILE INSTALLATION	
SAC NAME/NUMBER/1-00-206		NO OF SHEET:	1
DOC NO/824-493/20		SHEET NO.	
SCALE: NTS		ALL DIMENSION ARE IN MM	REVISION